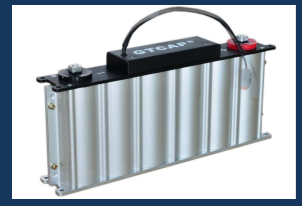


Datasheet

16V 500F Ultracapacitor Module



GTSM-16V-500FUS



FEATURES AND BENEFITS

- Compact, fully enclosed splash proof design
- Highest power performance
- Individually balanced cells
- Over 1,000,000 duty cycles
- Ultra-low internal resistance

TYPICAL APPLICATIONS

- Wind turbine pitch control
- Heavy industrial equipment
- Telecommunications
- Railway transportation
- Uninterruptible Power Supplies (UPS)

SPECIFICATIONS

ELECTRICAL

Capacitance

Nominal capacitance	500 F
Capacitance tolerance	+20% / -0%

Voltage

Rated voltage	16 V
Maximum absolute voltage	17 V
Maximum series voltage	750 V

Resistance

ESR, DC	1.8 mΩ
---------	--------

Current

Maximum continuous current (ΔT=40°C)	100 A
Maximum peak current, 1 sec.	2,275 A
Maximum leakage current (after 72hrs @ 25°C)	5.2 mA

TEMPERATURE

Operating temperature range

(Cell case temperature)	-40°C to +65°C
-------------------------	----------------

Storage temperature range

(Storage uncharged)	-40°C to +70°C
---------------------	----------------

PHYSICAL

Weight	5.7 kg
Power terminals	M8/M10
Recommended torque - terminal	20/30 Nm
Vibration specification	GB-T 11287-2000
Shock specification	GBT 14537-1993
Environmental protection	IP65

MONITORING / CELL VOLTAGE MANAGEMENT

Internal temperature sensor	NTC Thermistor
Cell voltage monitoring	Overvoltage Alarm

POWER AND ENERGY

Usable power density (Pd)	3,590 W/kg
Impedance match power density (Pmax)	7,480 W/kg
Gravimetric energy density (E _{max})	3.1 Wh/kg
Energy available	17.8 Wh

LIFE

High temperature (at rated voltage & maximum operating temperature)	1,500 hours
---	-------------

Capacitance change (% decrease from minimum initial value)	≤20%
---	------

ESR change (% increase from minimum initial value)	≤100%
---	-------

Room temperature (at Rated Voltage at 25°C)	10 years
---	----------

Capacitance change (% decrease from minimum initial value)	≤20%
---	------

ESR change (% increase from minimum initial value)	≤100%
---	-------

Cycle Life (Number of cycles)	1,000,000
---	-----------

Capacitance change (% decrease from minimum initial value)	≤20%
---	------

ESR change (% increase from minimum initial value)	≤100%
---	-------

Shelf life (Stored uncharged up to a maximum storage temperature)	2 years
---	---------

SAFETY

Short circuit current (Current possible with short circuit from rated voltage. Do not use as an operating current.)	8000 A
---	--------

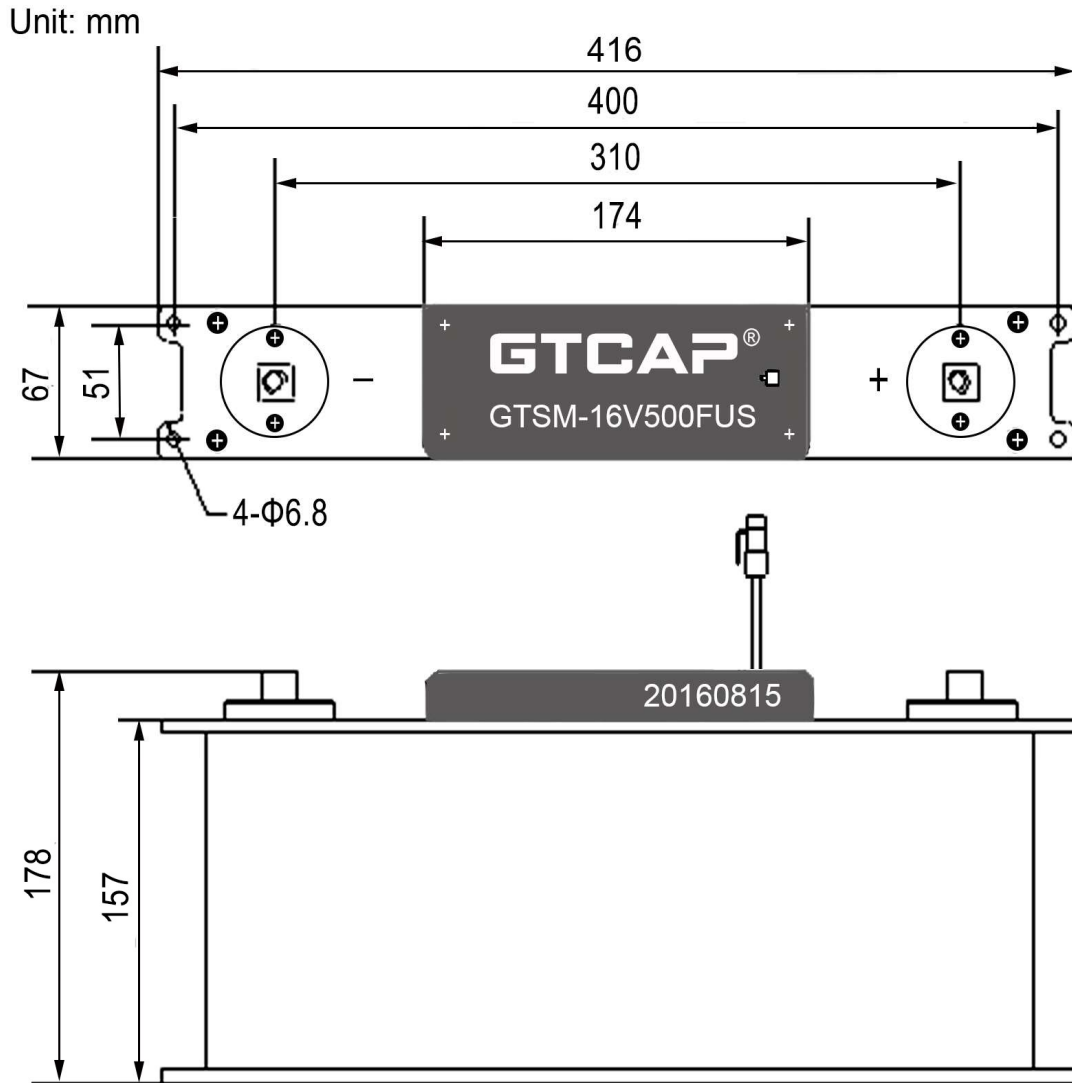
Factory high-pot test	2,500 V/DC
------------------------------	------------

Datasheet

16V 500F Ultracapacitor Module



GTSM-16V-500FUS



Part Number	Dimension (mm)			Package Quantity(set)
	L (±0.5mm)	W (±0.5mm)	H (±0.5mm)	
GTSM-16V-500FUS	416.0	67.0	178.0	2

Product dimensions are for reference only unless otherwise specified. Product dimensions and specifications may change without notice. Please contact GTCAP directly for any technical specifications critical to application.