



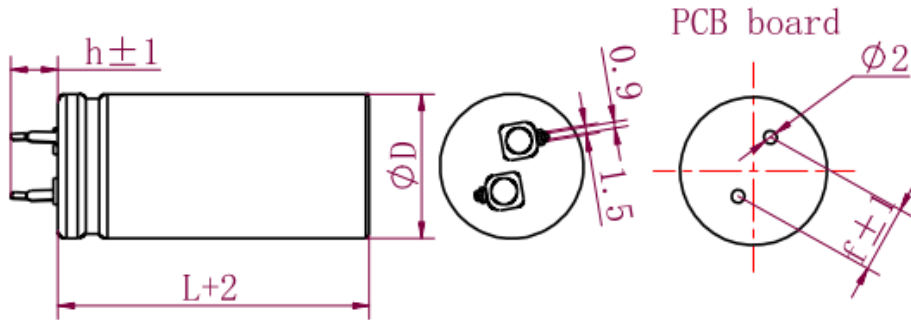
Features

High power performance
Low ESR
Over 1,000,000 duty cycles
Snap-in terminal

Applications

EV/HEV
Solar energy conversion system
Hybrid drive trains
Electric tool & glare flashlight

Dimension



Dimension(mm)				
Capacitance	D	L	h	f
100F	22	45	6	10
150F	25	50	6	10
200F	35	62	6	10
400F	35	62	6	10

Specifications

Capacitance (F)	GT Part Number	Maximum ESR (mΩ)		Max. Continuous Current (A)	Max. Peak Current (A)	Leakage Current (mA) @ 25°C after 72 Hours	Max. Energy Stored (Wh)	Max. Energy Density (Wh/Kg)	Weight (g)
		AC @ 1kHz	DC						
100	GTSP-2R7-107UN	11	15	11	54	0.2	0.1	4.4	23
150	GTSP-2R7-157UN	10	14	13	65	0.3	0.15	4.34	35
200	GTSP-2R7-207UN	10	13	15	70	0.5	0.25	4.5	75
400	GTSP-2R7-407UN	10	12	15	70	0.6	0.32	4.6	80

Working Voltage	2.7 VDC
Surge Voltage	2.85 VDC
Capacitance Tolerance	-10% to +20% (25°C)
Operating Temperature Range	-40°C to 65°C, ΔC<20%, ΔESR<50% of initial measured value@ 25°C
Storage Temperature Range	-40°C to 70°C
Life (1500hrs @ 85°C @ 2.65V DC)	ΔC<30% of initial measured value, ΔESR<200% of specified value
storage(2 years @ 70°C,without loading)	ΔC<30% of initial measured value, ΔESR<200% of specified value